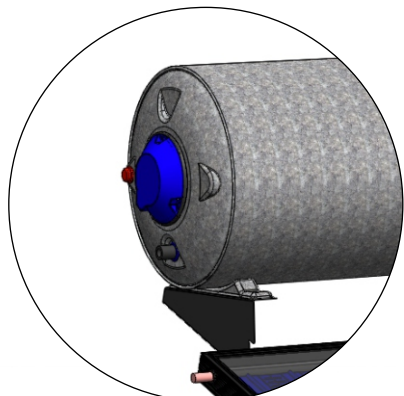
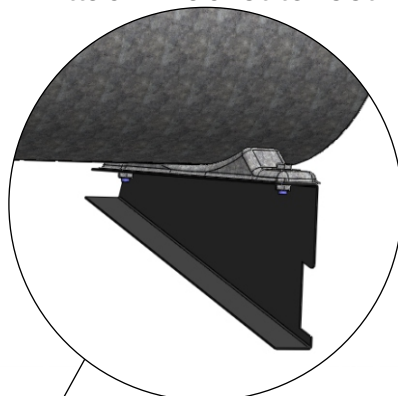


Thermosiphon Installation Guide

Electrical coven must be on the left.



Attach Bracket to feet.



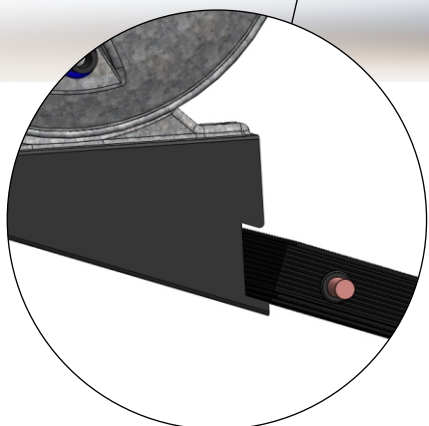
System should be installed as close to the bathroom as possible.

System must face north.

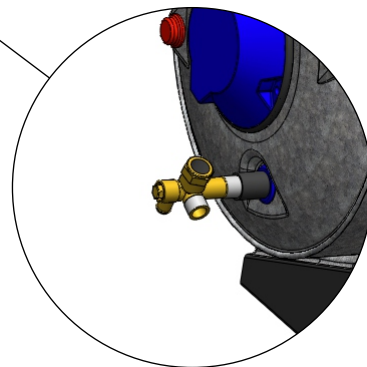
Make sure Roof is strong enough to support system



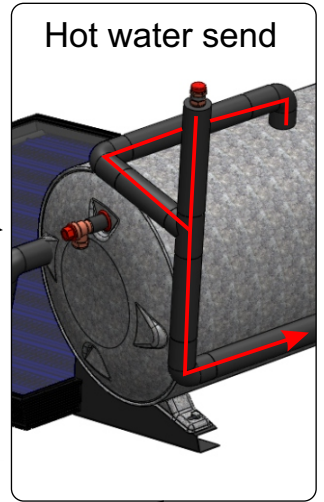
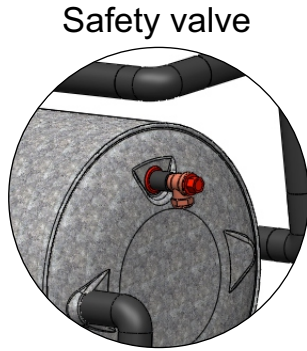
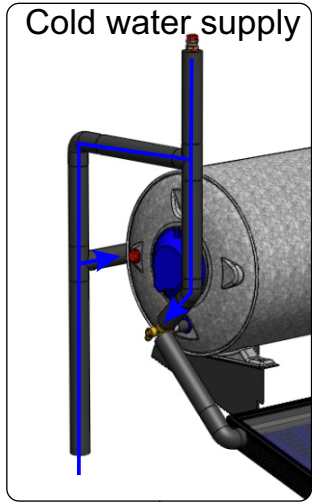
Attach Collector to Bracket.



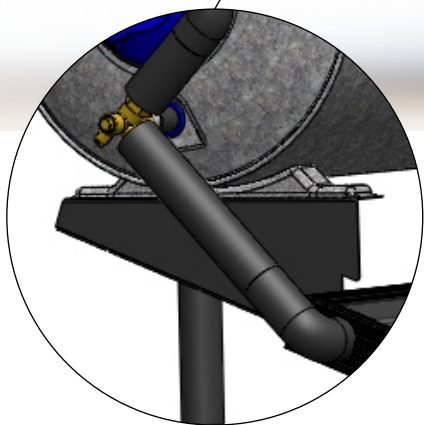
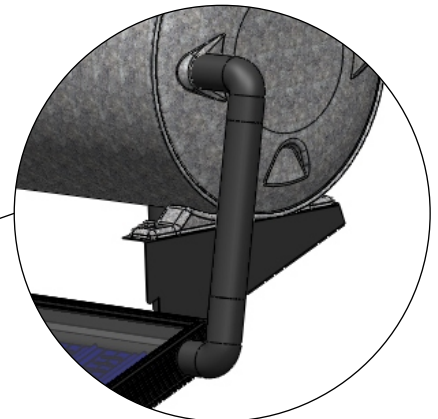
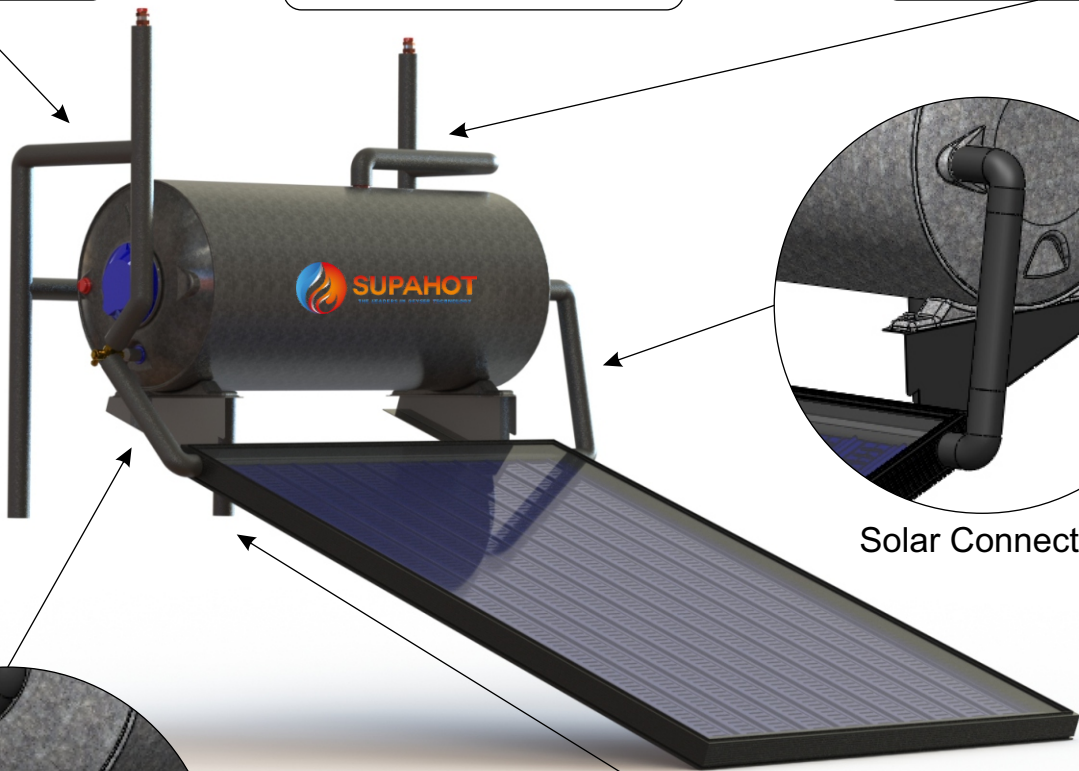
Install Duel-Port drain cock



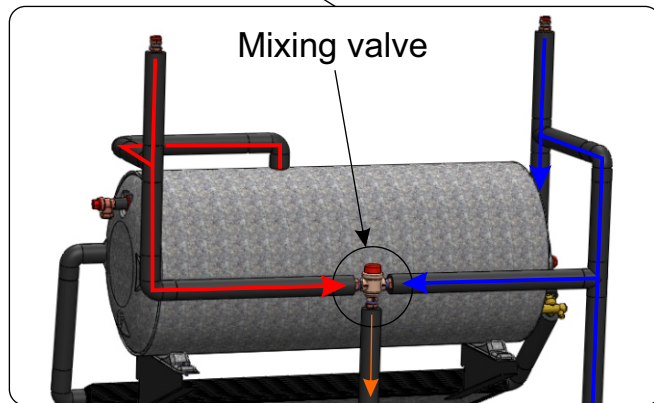
Piping Installation Guide



Insulate all piping with lagging.



Solar Connection



Water mixed to 55°